



# LTI Smart Glass, Inc.

## Switchable Privacy SGULLC.0110 Specifications

UL LISTING CATEGORY: IYQX.E216500

[www.LTISG.com/ul](http://www.LTISG.com/ul)

### Function:

Provides instant switchable privacy for an opaque, milky white, laminated panel to become transparent with the application of an electrical current to an embedded layer of liquid crystal particles.

### Switching Action:

An array of switching options are available from a basic single-pole/single throw switch to advanced integration into home automation systems.

### Dimension:

Maximum width: 39" (990mm)  
 Maximum length: 144" (3657mm)  
 Larger custom sizes available.

### Energy Data:

**Input Power:** 120VAC /60Hz  
**Energy Consumption:** ~3-5 watts/ sq meter  
 0 Watts in privacy state

### Thickness (Glass):

Maximum Thickness: (unlimited)  
 Minimum Thickness: 5/16" (7.9mm)

### Thickness (Polycarbonate):

Maximum Thickness: (unlimited)  
 Minimum Thickness: 1/16" (1.58mm)

### Performance Data:

**Parallel Light Transmission:**  
 On: 70% / Total Light: 80%; Haze Range: 5-10%, dependent on type and thickness of substrates used  
 Off: 5% / Total Light: 75%; Haze Range: Full, dependent on type and thickness of substrates used

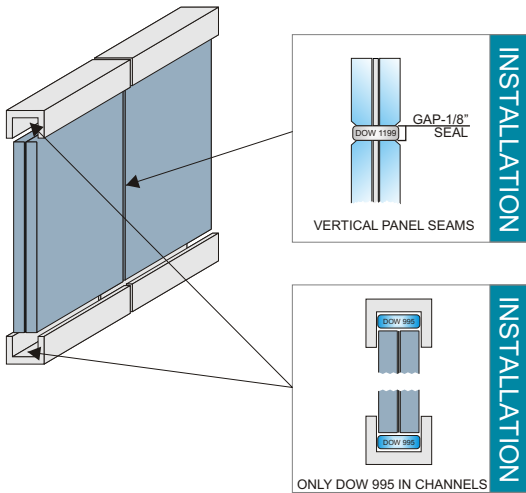
**Switching Speed:**  
 Private to Transparent: Approx 1 ms  
 Transparent to Private: Approx 1 ms

**Operating Temp:**  
 0-60°C

### Installation Data:

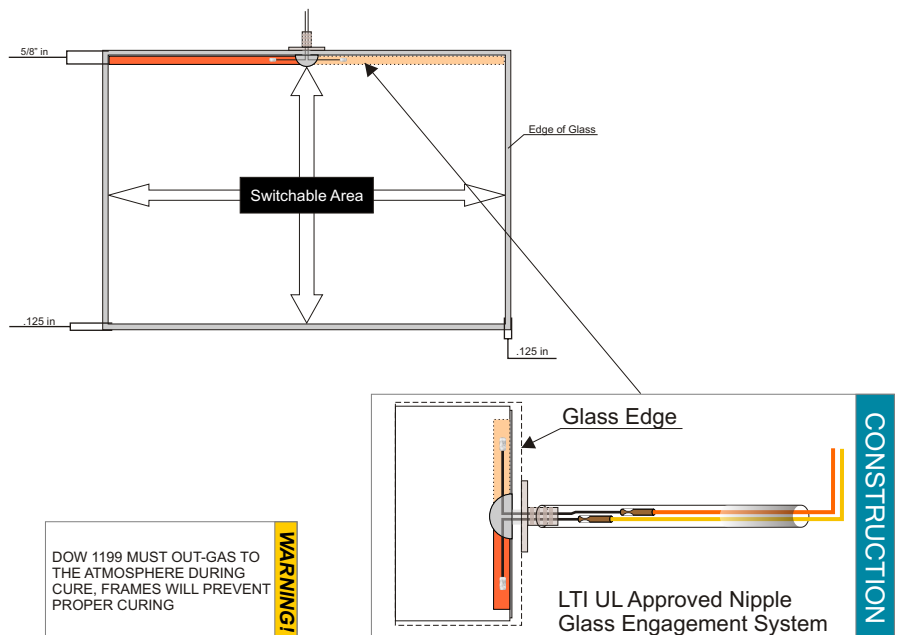
#### Channel Glazing:

See LTI LC installation manual for additional glazing details and cautions



#### Power Leads:

Leads generally exit top center of panel - 10' of lead standard



LTI Smart Glass, Inc.  
 14 Federico Dr.  
 Pittsfield, MA 01201  
 Phone: 413.637.5001  
 Fax: 413.637.5004

[www.LTISG.com](http://www.LTISG.com)